

# SUPER SWING



Incl. painting template!

## Assembly instructions

[uk.super-swing.com](http://uk.super-swing.com)

# Dear swing friends!

Thank you for choosing one of our Super Swing swings! With the purchase of a Super Swing garden swing you have purchased the enclosed assembly instructions.

You have ordered a swing frame incl. swings? You will find instructions on how to set up the respective swing directly there in the package!

More information about all swing frames you can also find under **[uk.super-swing.com](http://uk.super-swing.com)**.

Questions or suggestions? Then contact us directly! Swing yourself to the hero and set no limits to the swing fun!

**Your team of**



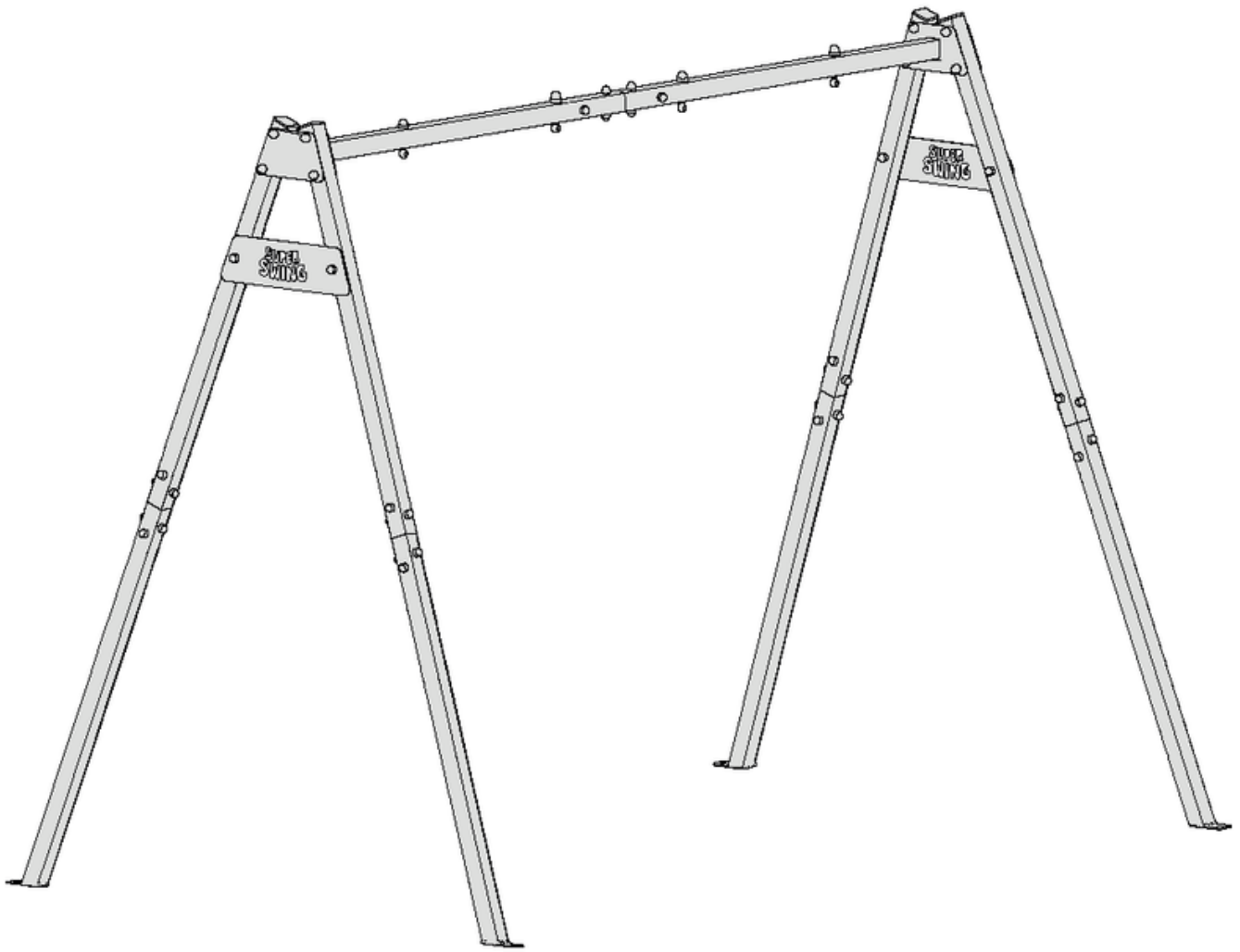
**More languages**



# SUPER SWING

---

## Super 01

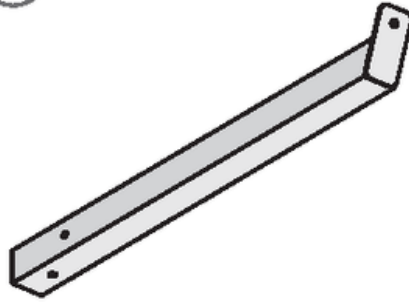


# SUPER SWING

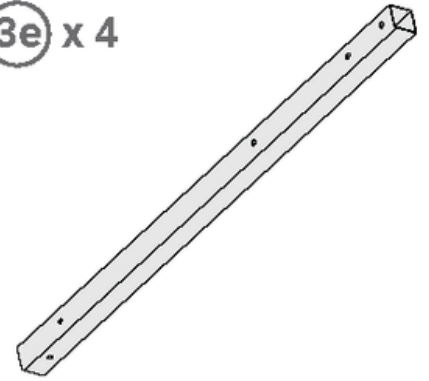
1e x 2



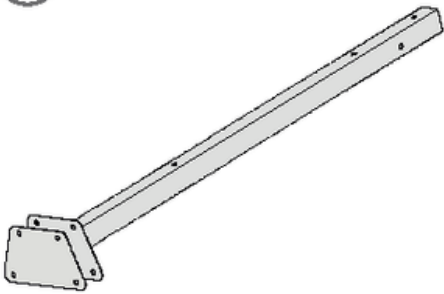
2e x 4



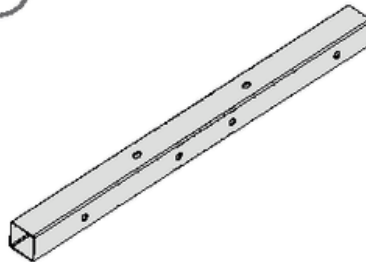
3e x 4



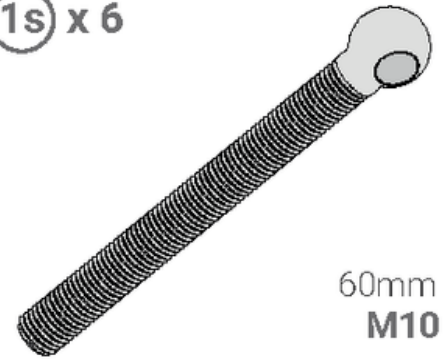
4e x 2



6e x 5

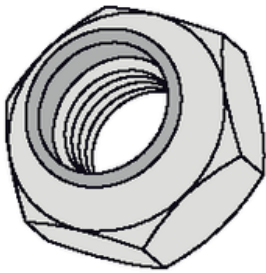


1s x 6



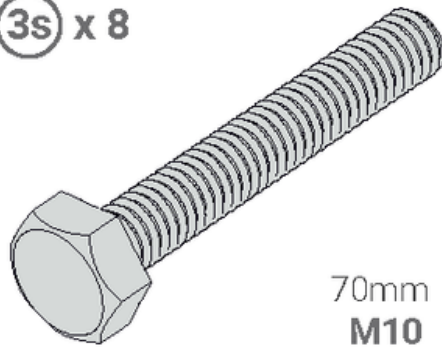
60mm  
M10

2s x 38



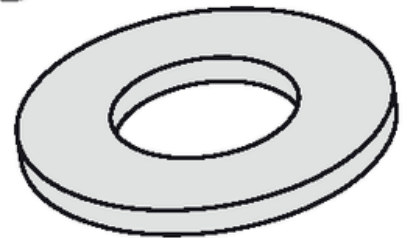
M10

3s x 8



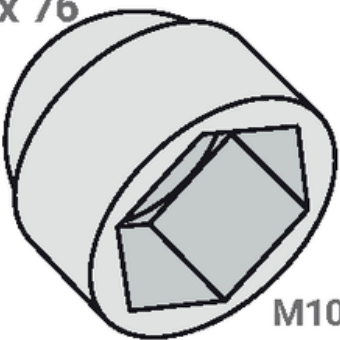
70mm  
M10

4s x 76



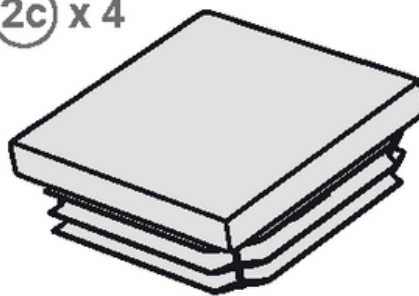
M10

1c x 76



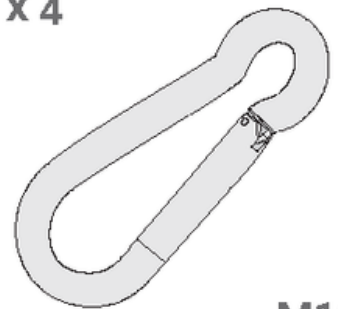
M10

2c x 4



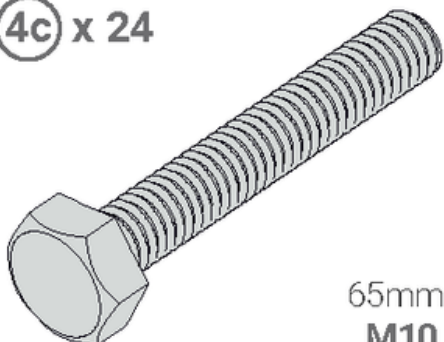
50 mm x 50 mm

3c x 4



M10

4c x 24



65mm  
M10

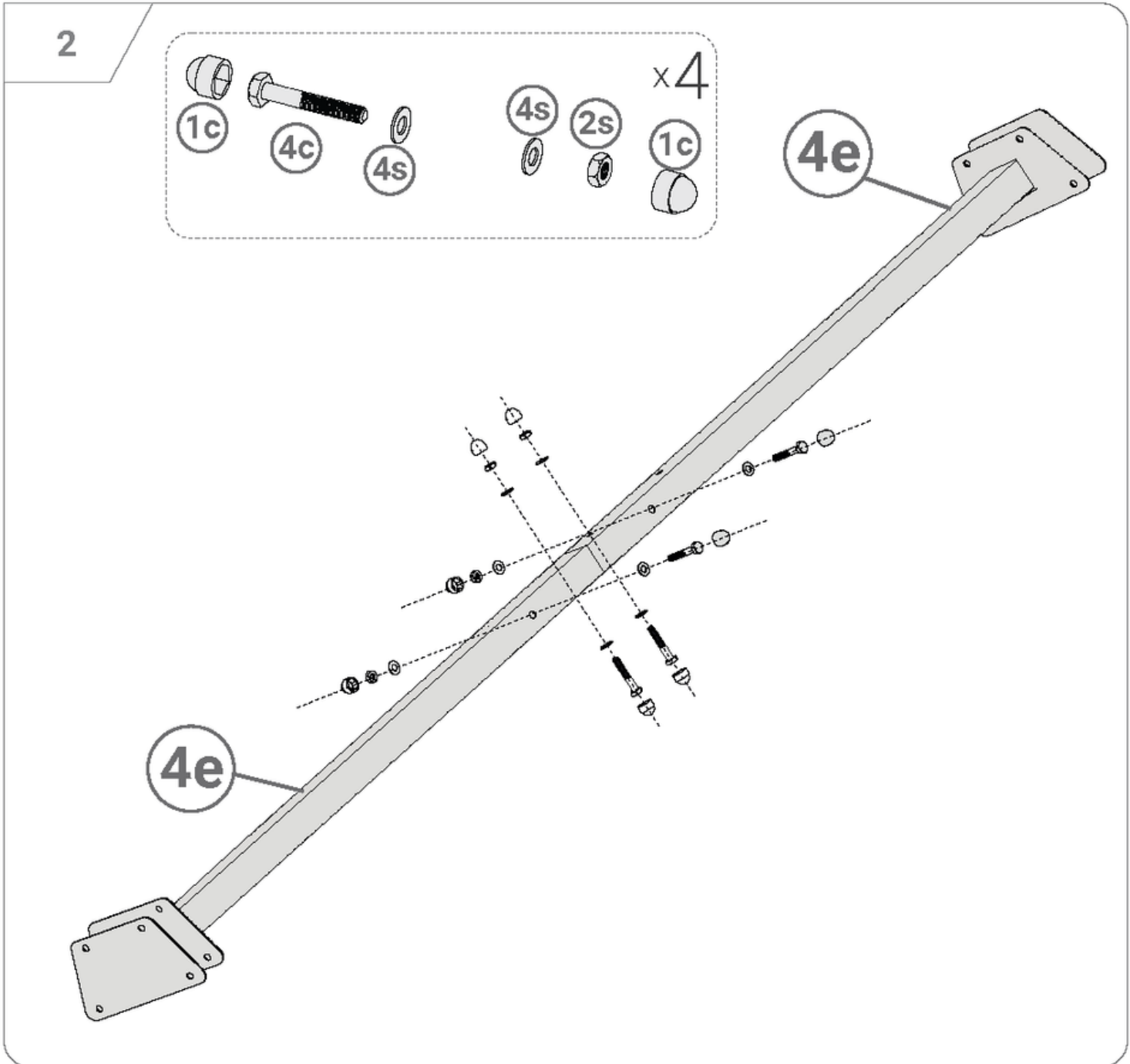
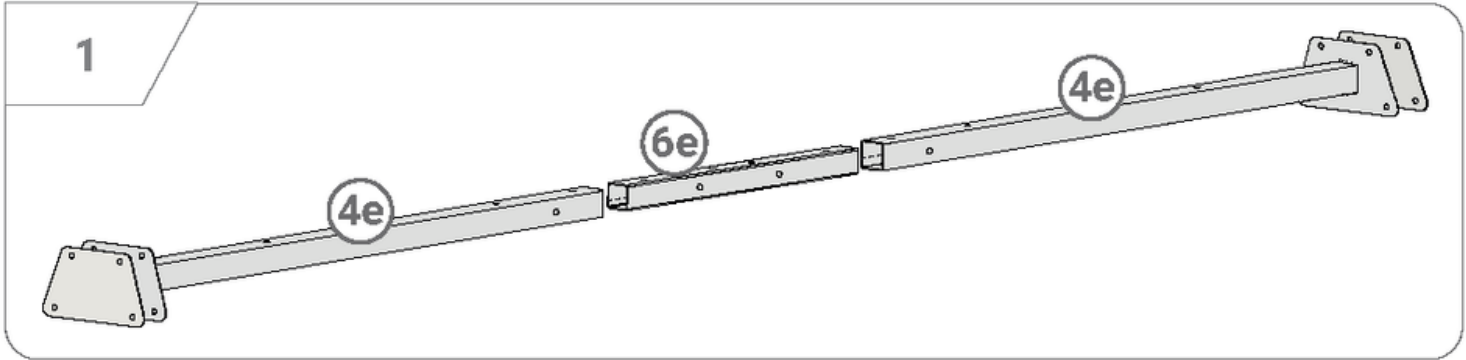
Everything you need!



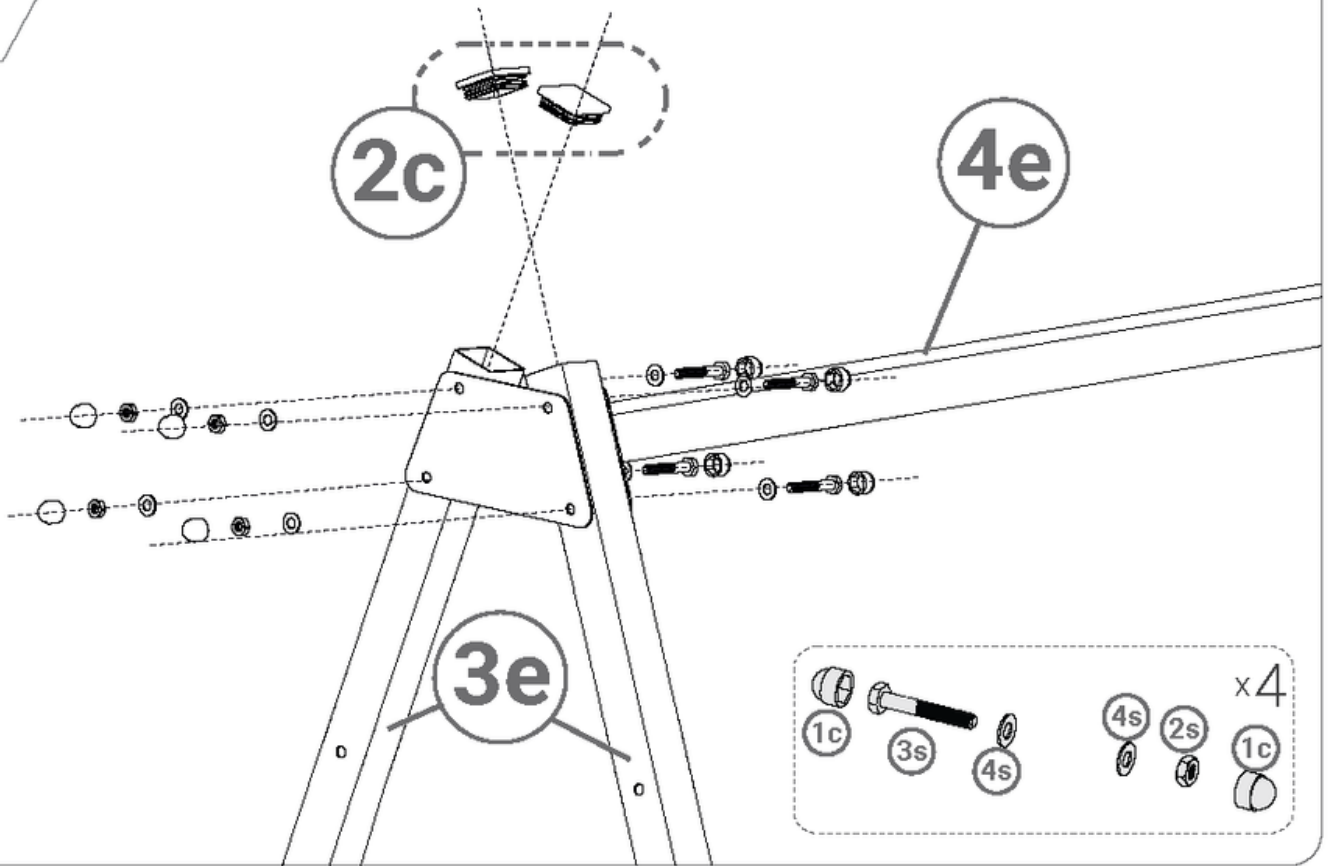


When setting up, it's best if there are two of you.

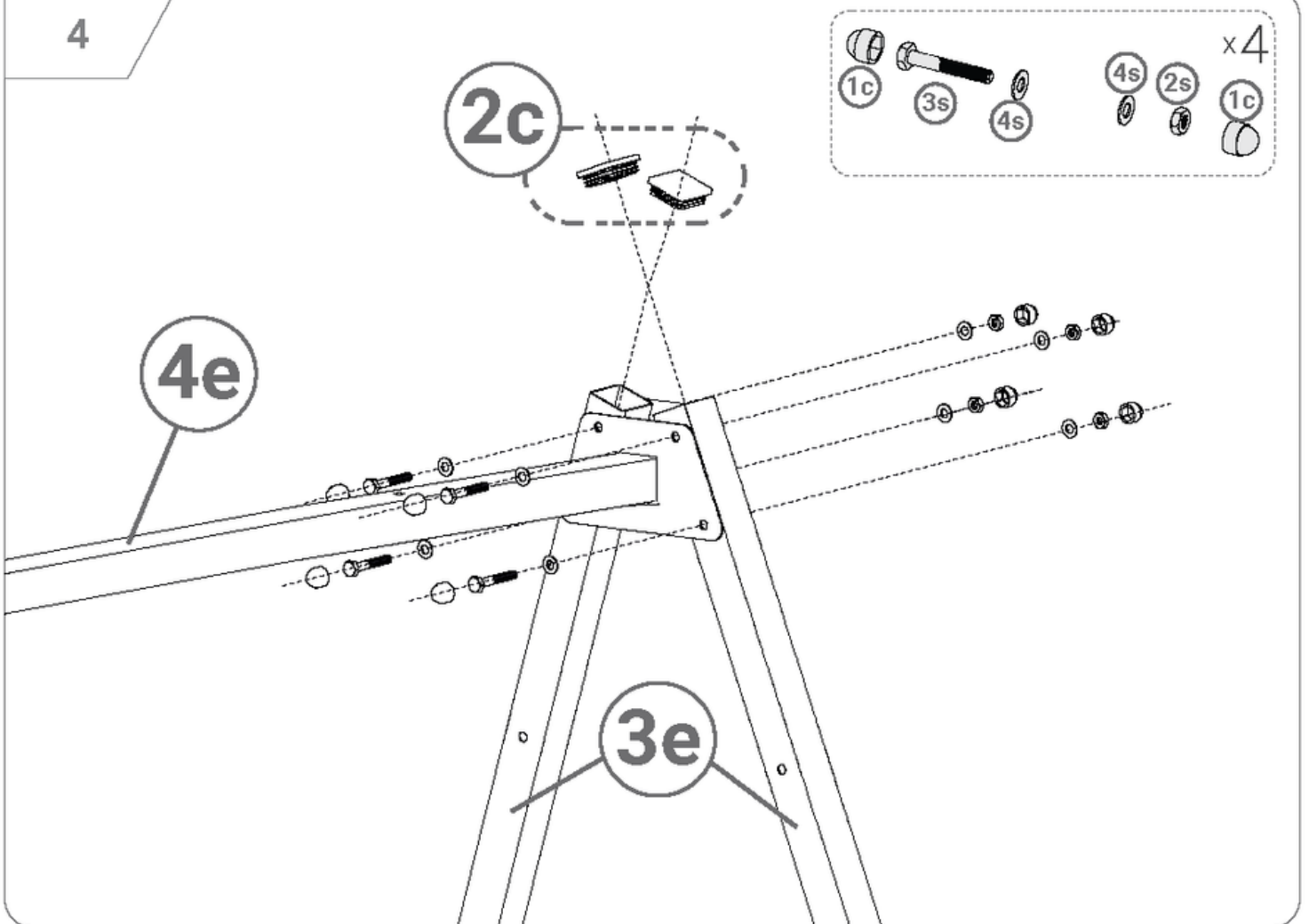
**SUPER SWING**



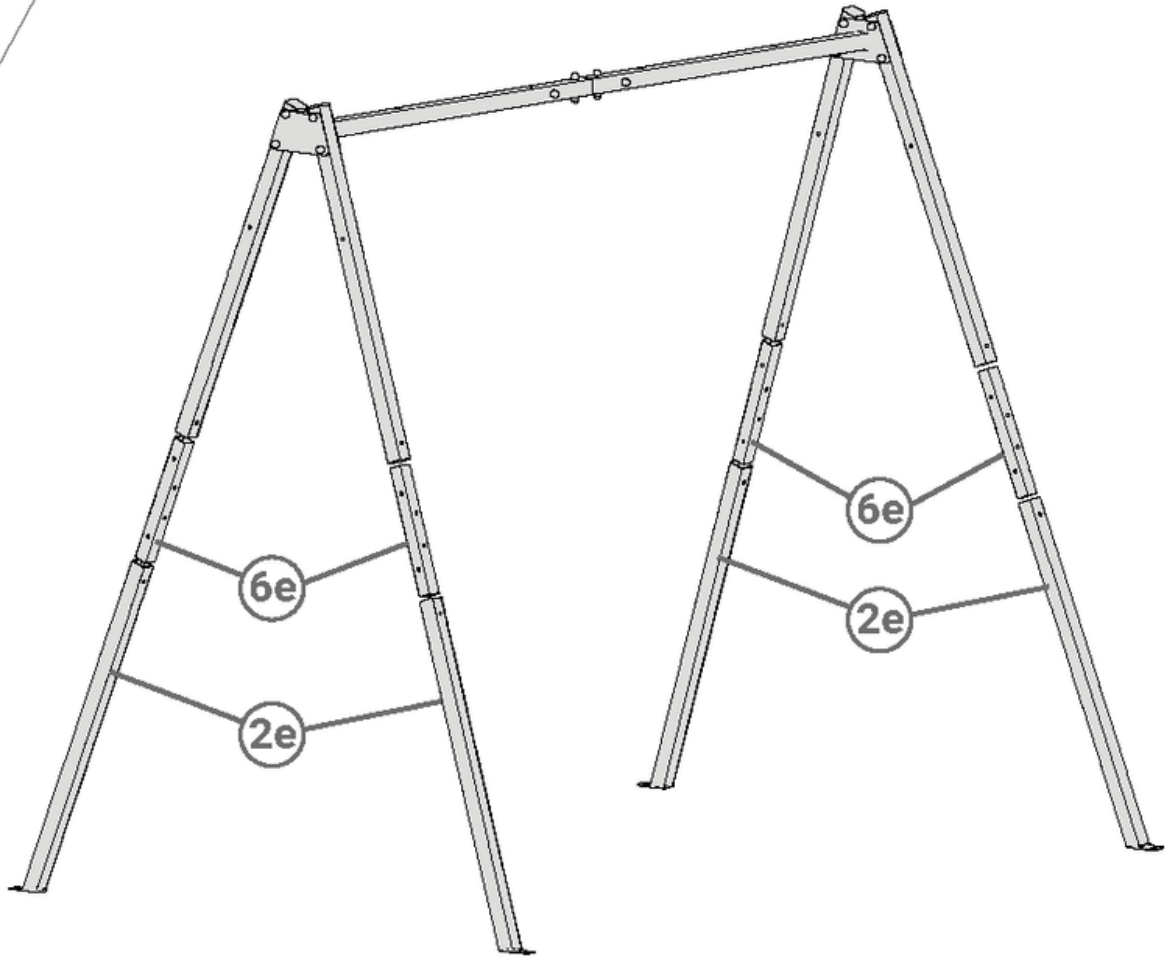
3



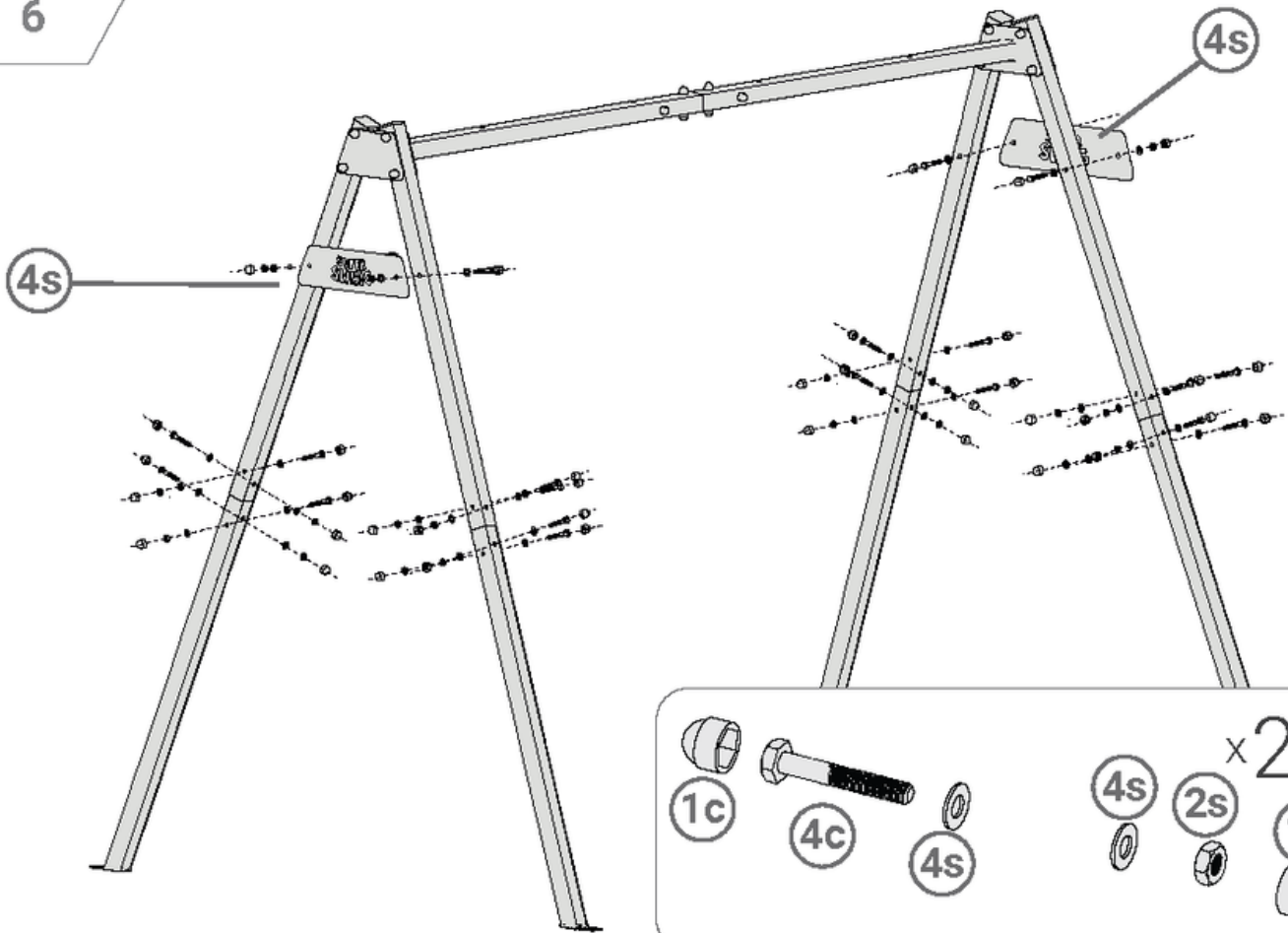
4



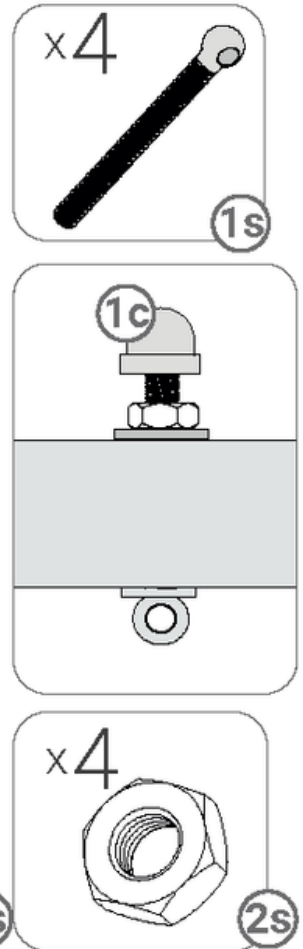
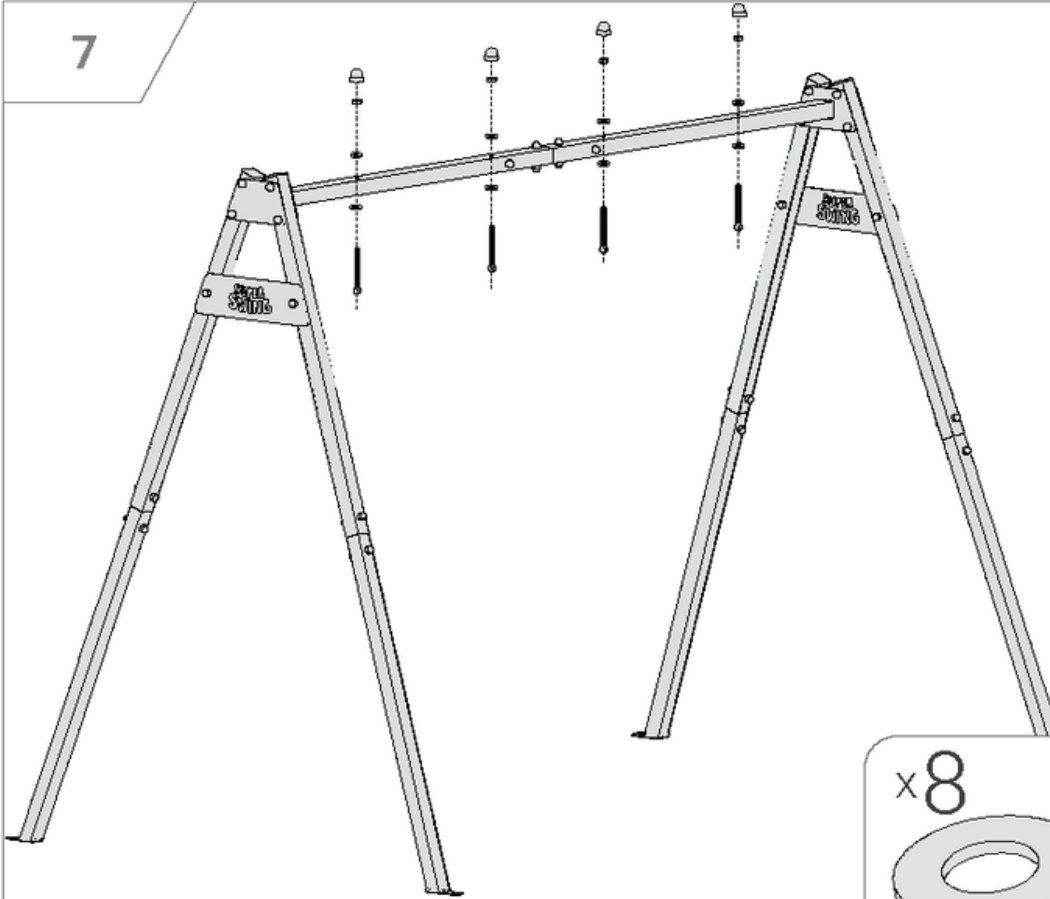
5



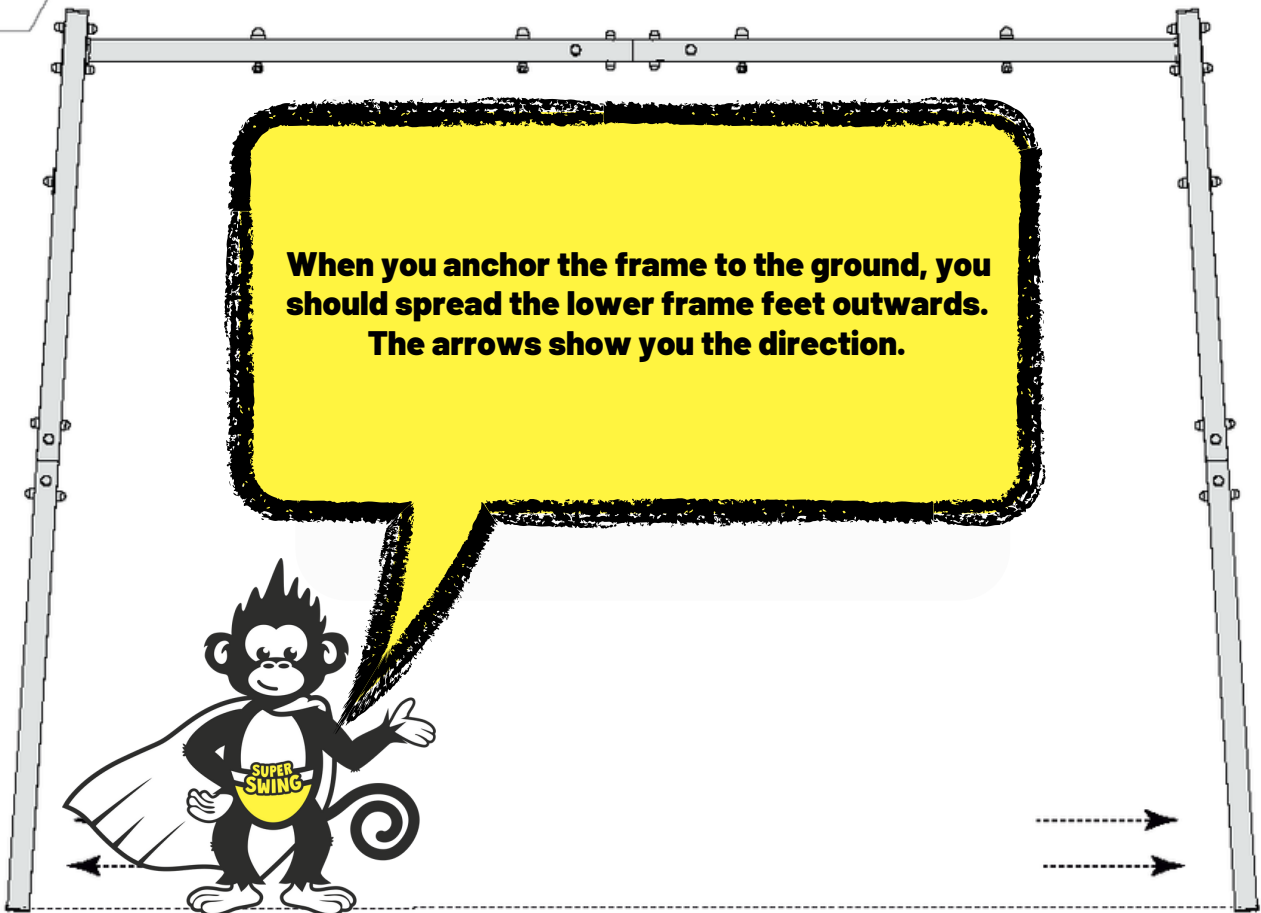
6



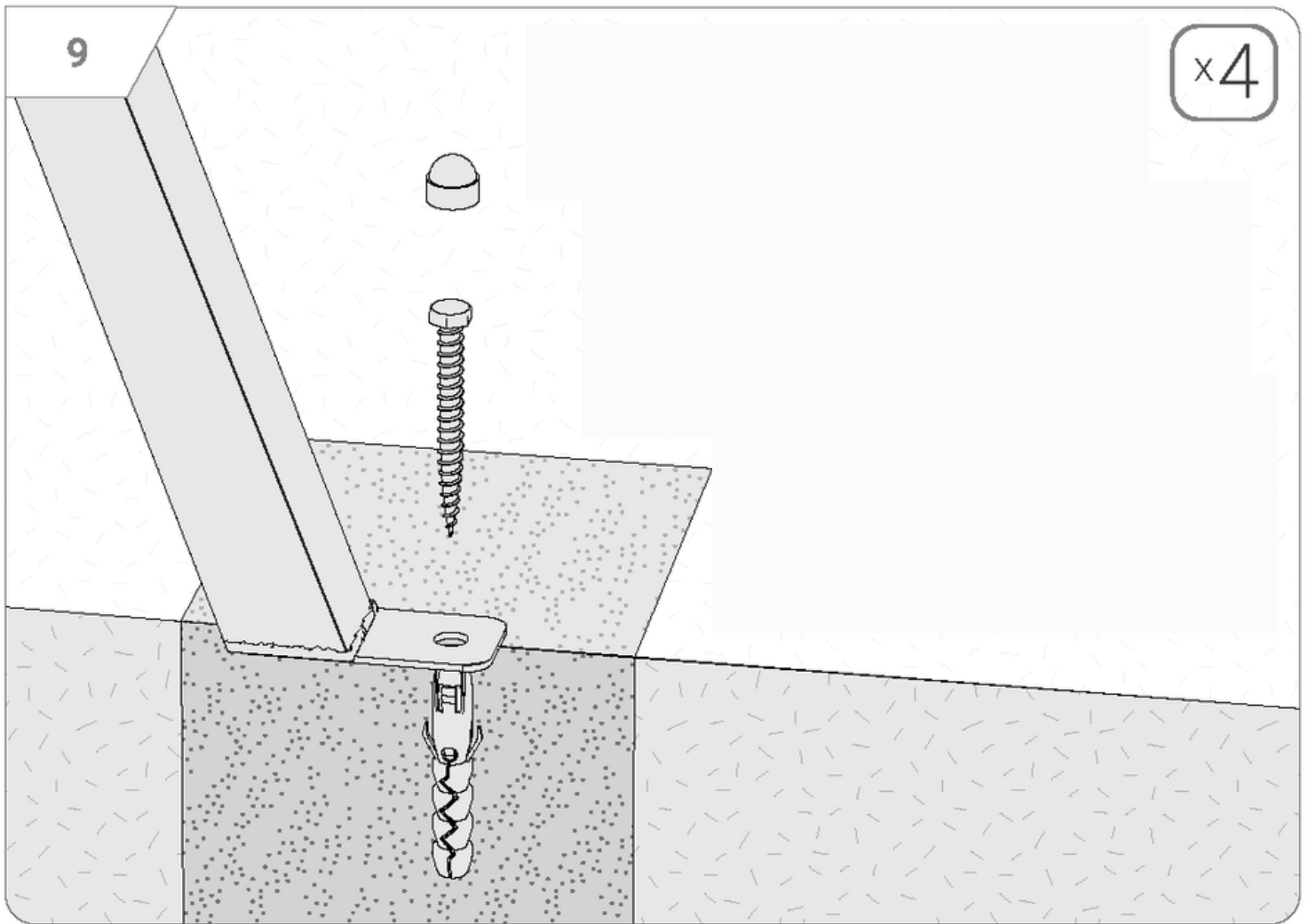
7



8







**The frame requires a stable attachment to the ground.  
You can use screws with dowels, anchors or pegs with  
a minimum length of 65 cm.  
Did you already know? You can get suitable anchors in our  
shop!**



# SAFETY INFORMATION

**READ THE OPERATING INSTRUCTIONS CAREFULLY BEFORE USE & PLEASE OBSERVE THE INSTRUCTIONS FOR USE! Also keep the instructions for future use!**



## **Warnings:**

Caution! For domestic use only. Use for other purposes is prohibited.

Caution! Not suitable for children under three years of age.

Caution! Use toys only under adult supervision.

Caution! Risk of tipping or falling if not secured.

Danger! Keep all small parts and packaging materials away from babies and children as there is a risk of suffocation.

The product must be installed under adult supervision. We accept no liability for damage caused by improper use of the appliance or failure to follow the instructions. Incorrect installation may result in a hazard. **MAINTENANCE INSTRUCTIONS:** The appliance should be cleaned with a soft, damp cloth. Do not use aggressive chemicals.

Make sure that the unit is set up on a safe surface and that there is at least 0.6 m of free space. there should be at least 0.6 m of free space to allow easy access to an escape route in the event of a malfunction or accident.

Before using the unit, check that it is working correctly and tighten the fixing screws if necessary. Check the fastening of ropes, the main parts for suspension in general, fixings, anchoring to the ground and other connecting elements. Consumable parts should be replaced when worn.

The unit may only be used if it is in working order. Otherwise, please contact the manufacturer and discontinue use.

Children may use the appliance under adult supervision and at their own responsibility. Do not insert anything into openings other than those specified in the instructions.

Be aware of all protruding parts and adjustment devices that may interfere with play. The unit must only be used for its intended purpose.

Transport the unit in a correct body position to avoid injury. If necessary, ask a third party to assist with transport.

The unit should be assembled according to the instructions. If the unit is incomplete, please contact the manufacturer at the following e-mail address: **uk@super-swing.com** and indicate the item number of the missing item.

If the unit cannot be assembled for technical reasons (e.g. there is no opening, opening in a different place, crooked part, etc.), please contact the manufacturer at the following e-mail address:

**uk@super-swing.com**

## **Manufacturer:**

**Super Swing GmbH**

Kiesweg 18

35396 Gießen

uk@super-swing.com

# INSTRUCTIONS FOR USE

## **SAFETY**

**Product for domestic use. READ THE OPERATING INSTRUCTIONS BEFORE USE. PLEASE OBSERVE THE INSTRUCTIONS FOR USE:**

1. If the unit squeaks or makes strange noises, stop the rocking. stop the rocking.
2. There should be at least 0.6 m of free space around the unit to allow easy access to an escape route in the event of a malfunction or accident.  
in the event of a malfunction or accident, there should be easy access to an escape route.
3. Before swinging, check the correct operation of the swing and tighten the fastening screws. Check the fastening of ropes and other connecting fasteners. Consumable parts should be replaced when worn out.
4. The swing may only be used if it is in working order. Otherwise, please contact  
If this is not the case, please contact the Service and Sales Department and discontinue the swing.
5. The product is intended for children only. Children may use it under adult supervision and at their own responsibility.
6. Do not insert anything into the openings other than what is specified in the instructions.
7. Pay attention to all protruding parts and adjustment devices.
8. The swing may only be used as intended.
9. The swing is intended for domestic use only. The use for other purposes is prohibited.
10. Transport the unit in a correct body position to avoid injury identities. If necessary, ask other people to assist with transport.
11. The unit should be assembled according to the instructions. If the appliance is incomplete please contact the manufacturer at the following e-mail address: **uk@super-swing.com** and indicate the item number of the missing item.
12. If the appliance cannot be assembled for technical reasons (e.g. no opening available, opening in a different place, crooked part, etc.), please contact the manufacturer at the following e-mail address: **uk@super-swing.com** and enclose a photo of the defective part.
13. Remember to protect the swing from snow and moisture with a suitable cover during the autumn/winter period or store it in a dry room. The manufacturer is not liable for damage caused by improper protection of the unit from moisture.

**CAUTION:** We accept no liability for damage caused by improper use of the appliance or failure to follow the instructions.

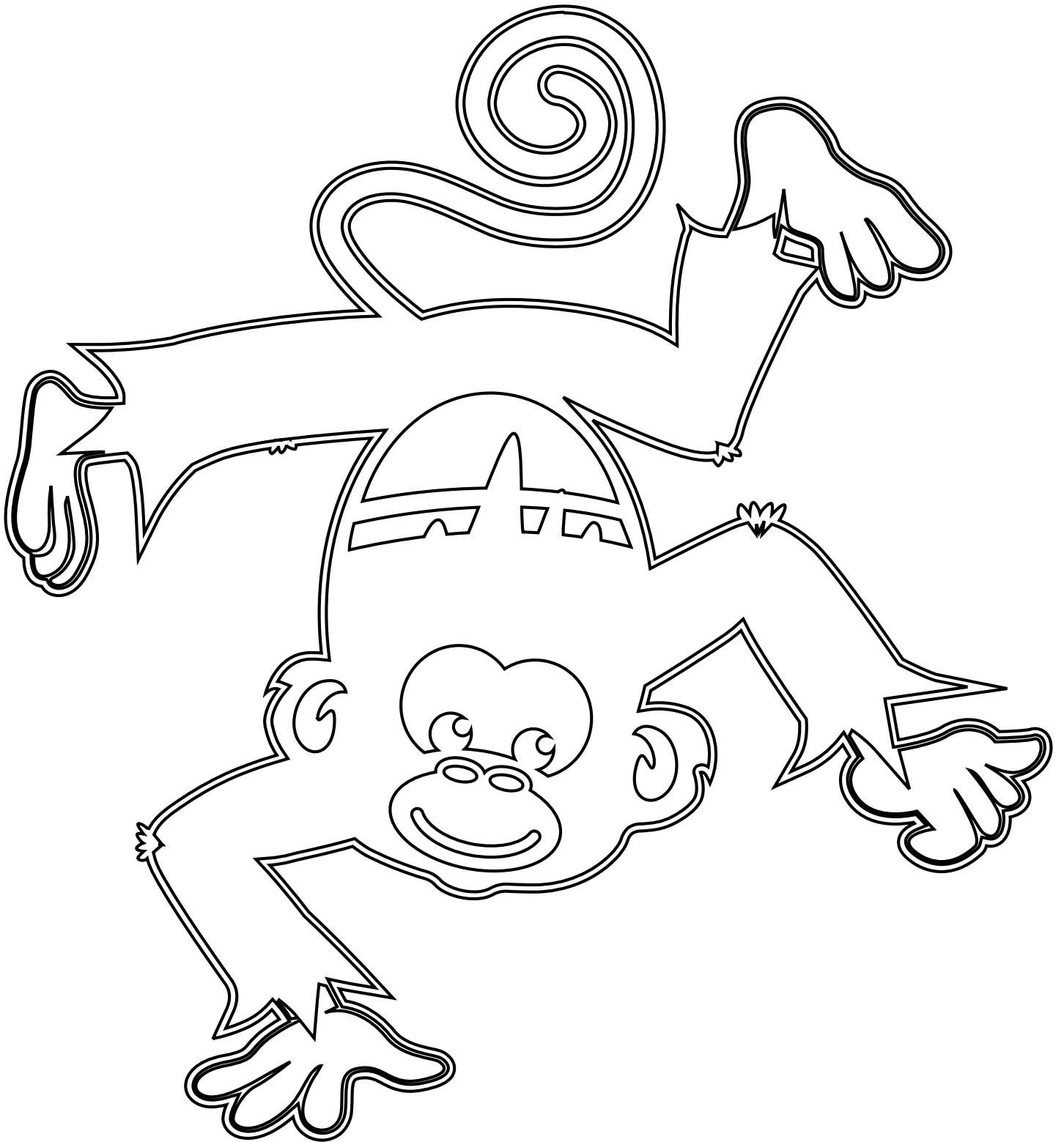
**MAINTENANCE INSTRUCTIONS:** The appliance should be cleaned with a soft, damp cloth. Do not use aggressive chemicals.

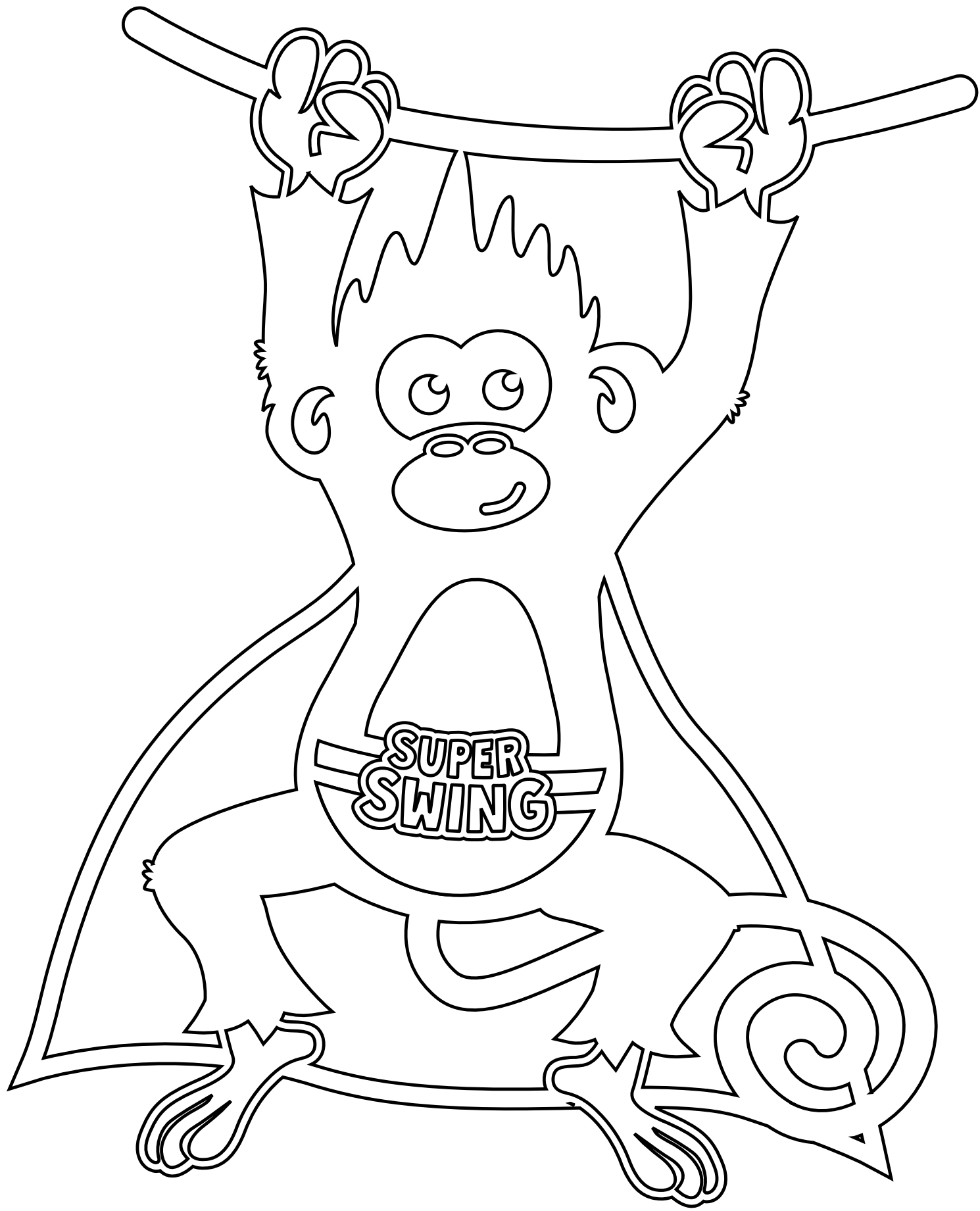
Protect from moisture and corrosion.

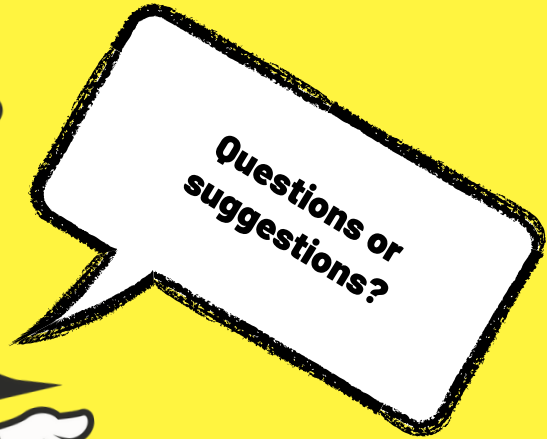
**Manufacturer:**  
**Super Swing GmbH**

Kiesweg 18  
35396 Gießen  
uk@super-swing.com

**Colouring templates for bad weather.**







# **Service**

**uk@super-swing.com**

**More languages**



**uk.super-swing.com**